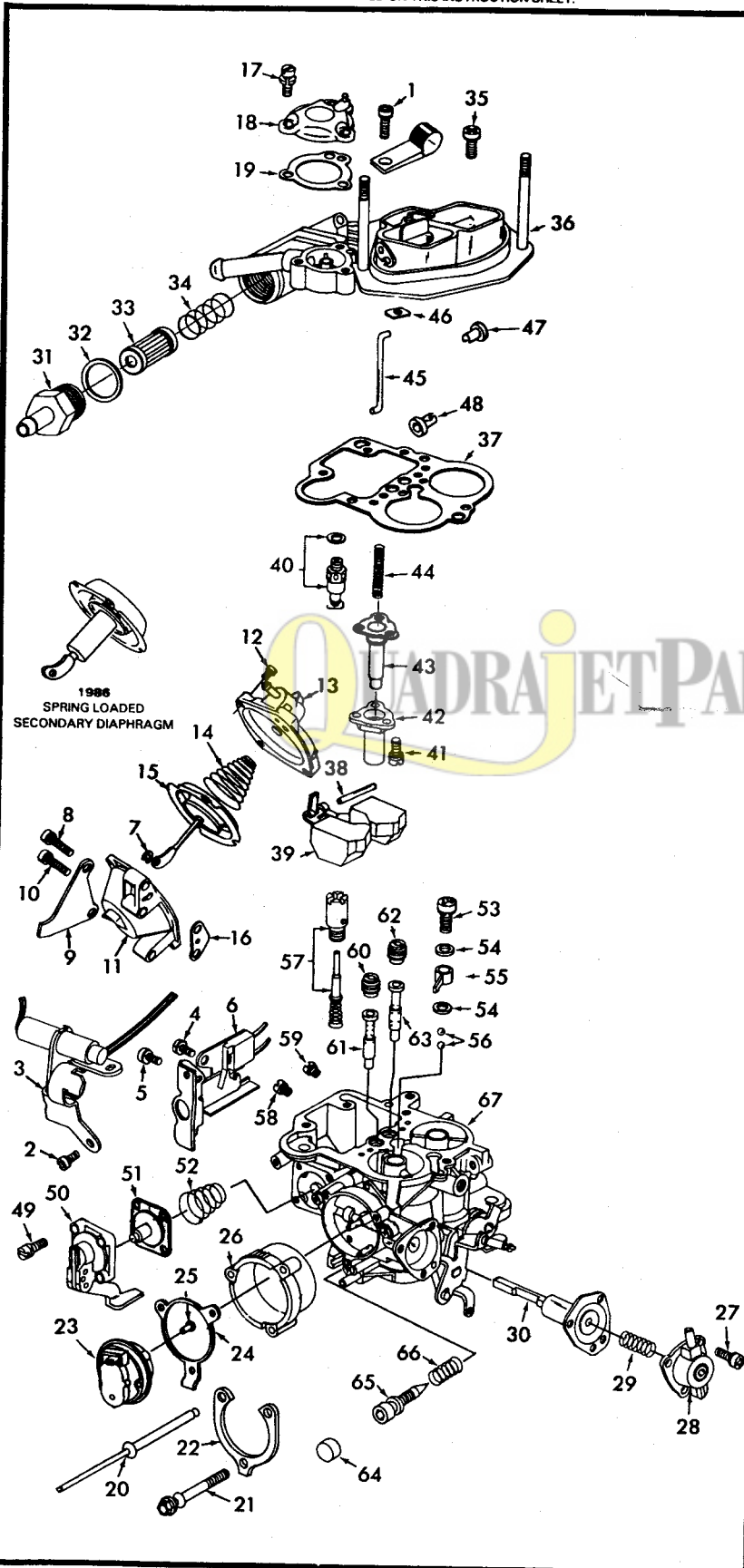


# INSTRUCTION SHEET

## OFF VEHICLE CARBURETOR SERVICE

### HOLLEY MODEL - 5220 V.O.S.

**GENERAL EXPLODED VIEW**  
THE GENERAL DESIGN AND PARTS SHOWN WILL VARY TO  
INDIVIDUAL UNITS COVERED ON THIS INSTRUCTION SHEET.



#### DISASSEMBLY

USE EXPLODED VIEW AS A GUIDE. THE NUMERICAL SEQUENCE MAY GENERALLY BE FOLLOWED TO DISASSEMBLE UNIT FAR ENOUGH TO PERMIT CLEANING AND INSPECTION. CAUTION: NOTE SIZES OF JETS AND MAIN WELL TUBES AND THEIR LOCATION FOR PROPER ASSEMBLY. (RECORD SIZES BELOW). SCREWS AND THREADS ARE METRIC, DO NOT SUBSTITUTE WITH U.S. THREADED SCREWS.

TAMPER RESISTANT CHOKE POP RIVETS CAN BE REMOVED BY DRILLING RIVET HEADS OFF. DRILL OR SAW A SLOT IN BREAK AWAY SCREW HEAD TO REMOVE. REMOVE CHOKE COMPONENTS THEN REMOVE REMAINDER OF RIVETS FROM HOUSING. TO REMOVE IDLE ADJUSTING NEEDLE CONCEALMENT PLUG, DRILL A 1/8" HOLE IN THE BASE AT A 45° ANGLE TOWARDS PLUG, ABOUT 1/4" IN FROM EDGE OF HOUSING. INSERT PUNCH INTO HOLE AND DRIVE PLUG OUT.

#### NOMENCLATURE

REF. NO.	REF. NO.
1. SCREW & LOCKWASHER - LOOM BRACKET	32. GASKET - FITTING
2. SCREW & LOCKWASHER (2) - VAC. SOLENOID	33. FILTER - FUEL
3. SOLENOID ASSY. - VACUUM CONTROL	34. SPRING - FUEL FILTER
4. SCREW HEAD UPPER - A/C CUTOFF SWITCH	35. SCREW & LOCKWASHER (5) - BOWL COVER
5. SCREW & LOCKWASHER BRACKET	36. BOWL COVER ASSY.
6. A/C CUTOFF SWITCH AND BRACKET ASSY.	37. GASKET - BOWL COVER
7. E CLIP - SEC. DIAPHRAGM ROD	38. PIN - FLOAT
8. SCREW & LOCKWASHER (2) - SEC. DIAPHRAGM PLATE	39. FLOAT ASSY.
9. PLATE SEC. DIAPHRAGM	40. NEEDLE & SEAT ASSY.
10. SCREW & LOCKWASHER - SEC. DIAPHRAGM HOUSING	41. SCREW & LOCKWASHER (3) - COVER
11. SECONDARY DIAPHRAGM ASSY.	42. COVER - DIAPHRAGM
12. SCREW & LOCKWASHER (4) - COVER	43. DIAPHRAGM ASSY. - POWER VALVE ACTUATOR
13. COVER - SEC. DIAPHRAGM	44. SPRING - ACTUATOR DIAPHRAGM
14. SPRING - SEC. DIAPHRAGM	45. ROD - CHOKE OPERATING
15. DIAPHRAGM ASSY. - SECONDARY	46. SEAL - CHOKE ROD
16. GASKET - SEC. DIAPHRAGM ASSY.	47. RETAINER - CHOKE ROD (UPPER)
17. SCREW & LOCKWASHER (3) - COVER	48. RETAINER - CHOKE ROD (LOWER)
18. COVER VENT	49. SCREW & LOCKWASHER (4) - PUMP COVER
19. GASKET - VENT COVER	50. COVER ASSY. - PUMP
20. POP RIVET (2) - CHOKE RETAINER	51. DIAPHRAGM ASSY. PUMP
21. BREAKAWAY SCREW - CHOKE RETAINER	52. SPRING - DIAPHRAGM RETURN
22. RETAINER - CHOKE COVER	53. SCREW - PUMP DISC NOZZLE
23. CHOKE COVER & COIL ASSY.	54. GASKET (2) - PUMP NOZZLE
24. RING - CHOKE GROUND	55. NOZZLE - PUMP DISCHARGE
25. BUSHING - COIL SPRING LOOP	56. BALL (2) - PUMP DISCHARGE
26. HOUSING - CHOKE COIL ASSY.	57. POWER VALVE ASSY.
27. SCREW & LOCKWASHER (3) - COVER	58. JET - PRI. MAIN
28. COVER ASSY. - DIAPHRAGM	59. JET - SEC. MAIN
29. SPRING - DIAPHRAGM	60. JET - PRI. HIGH SPEED BLEED
30. DIAPHRAGM ASSY. - CHOKE	61. TUBE - PRI. MAIN WELL
31. FITTING - FUEL INLET	62. JET - SEC. HIGH SPEED BLEED
	63. TUBE - SEC. MAIN WELL
	64. PLUG - IDLE NEEDLE
	65. NEEDLE - IDLE ADJUSTING
	66. SPRING - IDLE NEEDLE
	67. MAIN BODY ASSEMBLY

#### CLEANING

CLEANING MUST BE DONE WITH CARBURETOR DISASSEMBLED. DO NOT SOAK FUEL BOWL IN CARBURETOR CLEANER. USE A SPRAY TYPE CARBURETOR CLEANER. MAKE CERTAIN THE THROTTLE BORES ARE FREE OF CARBON AND VARNISH DEPOSITS. RINSE OFF IN SUITABLE SOLVENT. BLOW OUT ALL PASSAGES IN CASTINGS WITH COMPRESSED AIR AND CHECK CAREFULLY TO INSURE THOROUGH CLEANING OF OBSCURE AREAS. CAUTION: DO NOT SOAK PLASTIC FLOAT, SOLENOIDS, SWITCHES, ELECTRIC CHOKE COVER OR PARTS CONTAINING RUBBER MATERIALS IN CARBURETOR CLEANING SOLVENTS.

#### REASSEMBLY

REASSEMBLE IN REVERSE ORDER OF DISASSEMBLY. NOTE SPECIAL INSTRUCTIONS AND FOLLOW NUMERICAL OUTLINE IN MAKING ADJUSTMENTS.

#### SPECIAL INSTRUCTIONS

IDLE ADJUSTING NEEDLE (65) - TURN UNTIL LIGHTLY SEATED, THEN BACK OUT 2 TURNS. (DO NOT INSTALL PLUG AT THIS TIME).

CHECK BALL (56) - 2 BALLS ARE USED, ONE IS USED AS A WEIGHT.

PUMP RETURN SPRING (52) - INSTALL WITH SMALL DIAMETER AGAINST CARBURETOR BOWL.

BOWL COVER SCREWS (35) - TIGHTEN EVENLY IN STAGES TO 30 INCH LBS.

FUEL FILTER (33) - INSTALL FILTER WITH SOLID END AGAINST SPRING

CHOKE COVER (23) - INSTALL BUSHING (25) IN LOOP END OF COIL SPRING BEFORE INSTALLING ON PIN OF LEVER

TAMPER RESISTANT CHOKE COVER INSTALLATION - INSTALL CHOKE COMPONENTS MAKING SURE TAB ON RETAINER FITS IN NOTCH OF CHOKE COVER (NON ADJUSTABLE) BEFORE INSTALLING POP RIVETS AND BREAK AWAY SCREW.

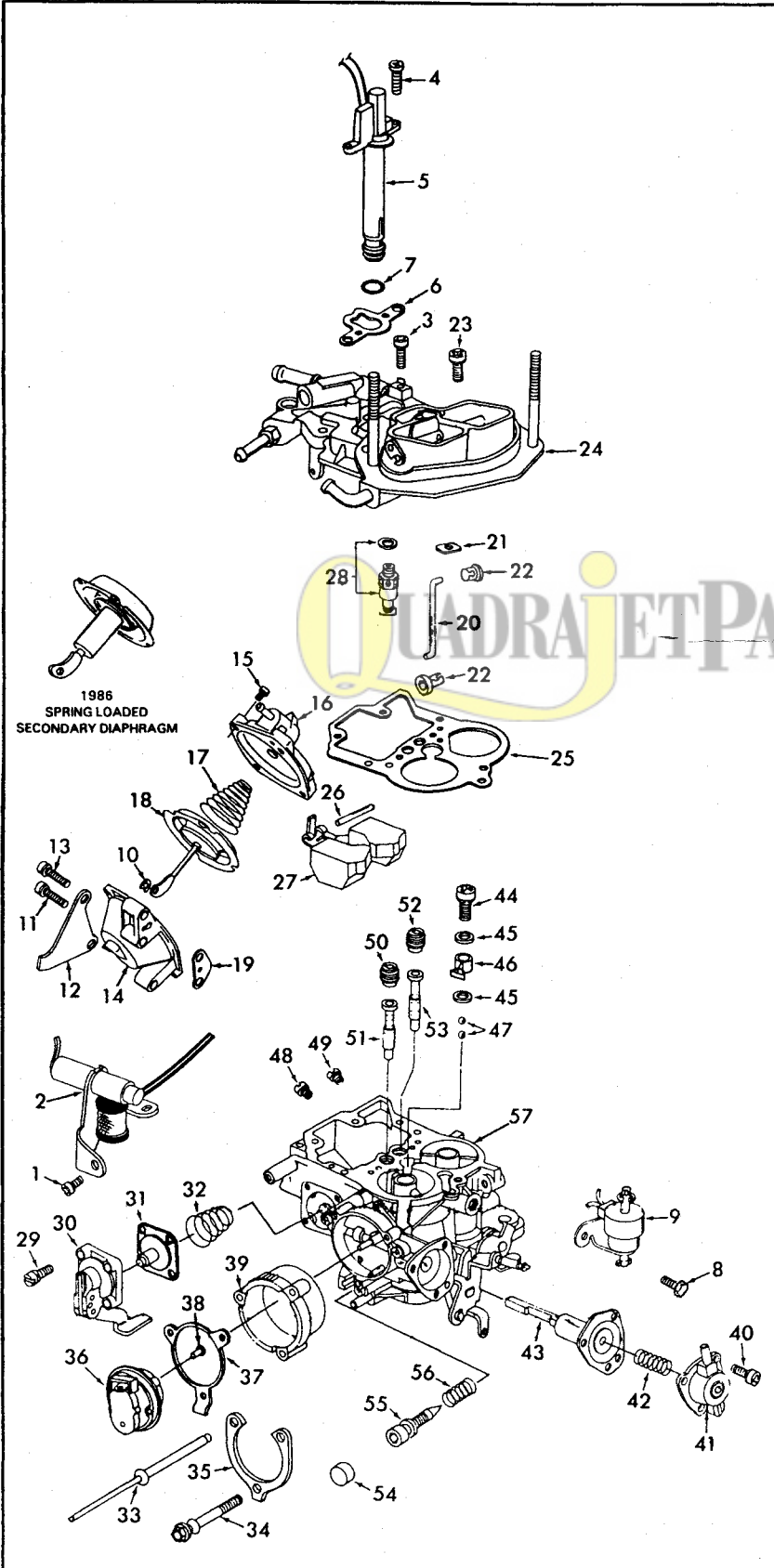
THROTTLE CUT OUT SWITCH A/C MODELS - SET SWITCH SO THAT AIR CONDITIONING CLUTCH IS OPEN IN THROTTLE POSITION OF 10° BEFORE TO WIDE OPEN THROTTLE

# INSTRUCTION SHEET

## OFF VEHICLE CARBURETOR SERVICE

### HOLLEY MODEL - 6520 V.O.S.

**GENERAL EXPLODED VIEW**  
THE GENERAL DESIGN AND PARTS SHOWN WILL VARY TO  
INDIVIDUAL UNITS COVERED ON THIS INSTRUCTION SHEET



#### DISASSEMBLY

USE EXPLODED VIEW AS A GUIDE. THE NUMERICAL SEQUENCE MAY GENERALLY BE FOLLOWED TO DISASSEMBLE UNIT FAR ENOUGH TO PERMIT CLEANING AND INSPECTION. CAUTION: NOTE SIZES OF JETS AND MAIN WELL TUBES AND THEIR LOCATION FOR PROPER ASSEMBLY. (RECORD SIZES BELOW). SCREWS AND THREADS ARE METRIC. DO NOT SUBSTITUTE WITH U.S. THREADED SCREWS.

TAMPER RESISTANT CHOKE POP RIVETS CAN BE REMOVED BY DRILLING RIVET HEADS OFF. DRILL OR SAW A SLOT IN BREAK AWAY SCREW HEAD TO REMOVE. REMOVE CHOKE COMPONENTS THEN REMOVE REMAINDER OF RIVETS FROM HOUSING. TO REMOVE IDLE ADJUSTING NEEDLE CONCEALMENT PLUG, DRILL A 1/8" HOLE IN THE BASE AT A 45° ANGLE TOWARDS PLUG, ABOUT 1/4" IN FROM EDGE OF HOUSING. INSERT PUNCH INTO HOLE AND DRIVE PLUG OUT.

#### NOMENCLATURE

REF. NO.	REF. NO.
1. SCREW & WASHERS (2) - VAC. SOLENOID	28. NEEDLE & SEAT ASSY.
2. SOLENOID ASSY. - VACUUM CONTROL	29. SCREW & LOCKWASHER (4) - PUMP COVER
3. SCREW - LOOM BRACKET, HOSE CLAMP	30. PUMP COVER & LEVER ASSY.
4. SCREW & LOCKWASHER (2) - SOLENOID ASSY.	31. DIAPHRAGM ASSY. - PUMP
5. SOLENOID ASSY. - MIXTURE CONTROL	32. SPRING - DIAPHRAGM
6. GASKET - SOLENOID	33. POP RIVET (2) - CHOKE RETAINER
7. O-RING - SOLENOID	34. BREAKAWAY SCREW - CHOKE RETAINER
8. SCREW & LOCKWASHER (2) - THROTTLE SOLENOID	35. RETAINER - CHOKE COVER
9. THROTTLE SOLENOID ASSY.	36. CHOKE COVER & COIL ASSY.
10. E-CLIP - SEC. DIAPHRAGM ROD	37. RING - CHOKE GROUND
11. SCREW & LOCKWASHER (2) - SEC. DIAPHRAGM PLATE	38. BUSHING - COIL SPRING LOOP
12. PLATE - SEC. DIAPHRAGM	39. HOUSING - CHOKE COIL ASSY.
13. SCREW & LOCKWASHER - SEC. DIAPHRAGM HOUSING	40. SCREW & LOCKWASHER (3) - COVER
14. SECONDARY DIAPHRAGM ASSY.	41. COVER ASSY. - DIAPHRAGM
15. SCREW & LOCKWASHER (4) - COVER	42. SPRING - DIAPHRAGM
16. COVER - SEC. DIAPHRAGM	43. DIAPHRAGM ASSY. - CHOKE
17. SPRING - SEC. DIAPHRAGM	44. SCREW - PUMP DISC, NOZZLE
18. DIAPHRAGM ASSY. - SECONDARY	45. GASKET (2) - PUMP NOZZLE
19. GASKET - SEC. DIAPHRAGM ASSY.	46. NOZZLE - PUMP DISC
20. ROD - CHOKE OPERATING	47. BALL (2) - PUMP DISCHARGE
21. SEAL - CHOKE ROD	48. JET - PRI. MAIN
22. RETAINER (2) - CHOKE ROD	49. JET - SEC. MAIN
23. SCREW & LOCKWASHER (5) - BOWL COVER	50. JET - PRI. HIGH SPEED BLEED
24. BOWL COVER ASSY.	51. TUBE - PRI. MAIN WELL
25. GASKET - BOWL COVER	52. JET - SEC. HIGH SPEED BLEED
26. PIN - FLOAT	53. TUBE - SEC. MAIN WELL
27. FLOAT & LEVER ASSY.	54. PLUG - IDLE ADJ. NEEDLE
	55. NEEDLE - IDLE ADJUSTING
	56. SPRING - IDLE NEEDLE
	57. MAIN BODY ASSY.

#### CLEANING

CLEANING MUST BE DONE WITH CARBURETOR DISASSEMBLED. DO NOT SOAK FUEL BOWL IN CARBURETOR CLEANER. USE A SPRAY TYPE CARBURETOR CLEANER. MAKE CERTAIN THE THROTTLE BORES ARE FREE OF CARBON AND VARNISH DEPOSITS. RINSE OFF IN SUITABLE SOLVENT. BLOW OUT ALL PASSAGES IN CASTINGS WITH COMPRESSED AIR AND CHECK CAREFULLY TO INSURE THOROUGH CLEANING OF OBSCURE AREAS. CAUTION: DO NOT SOAK PLASTIC FLOAT, SOLENOIDS, SWITCHES, ELECTRIC CHOKE COVER OR PARTS CONTAINING RUBBER MATERIALS IN CARBURETOR CLEANING SOLVENTS.

#### REASSEMBLY

REASSEMBLE IN REVERSE ORDER OF DISASSEMBLY. NOTE SPECIAL INSTRUCTIONS AND FOLLOW NUMERICAL OUTLINE IN MAKING ADJUSTMENTS.

#### SPECIAL INSTRUCTIONS

IDLE ADJUSTING NEEDLE (55) - TURN UNTIL LIGHTLY SEATED, THEN BACK OUT 2 TURNS. (DO NOT INSTALL PLUG AT THIS TIME).

CHECK BALL (47) - 2 BALLS ARE USED, ONE IS USED AS A WEIGHT.

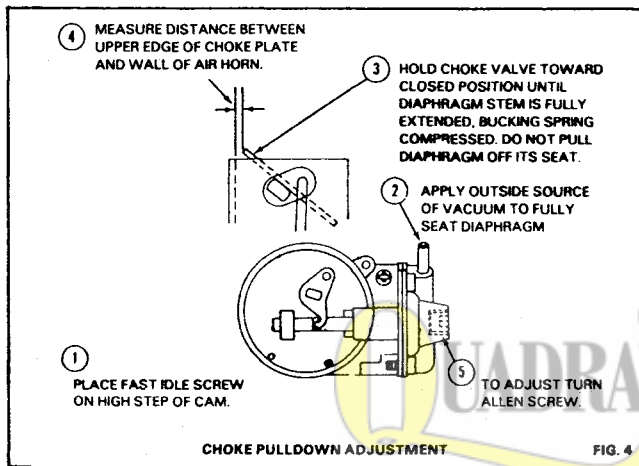
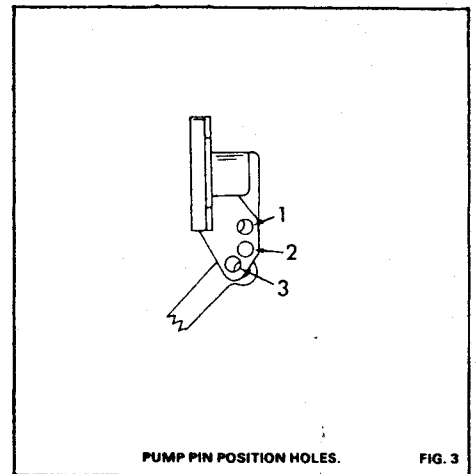
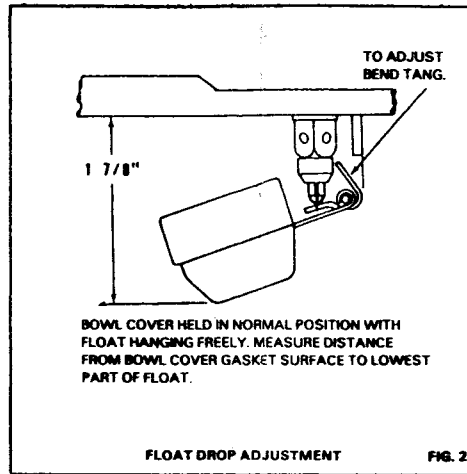
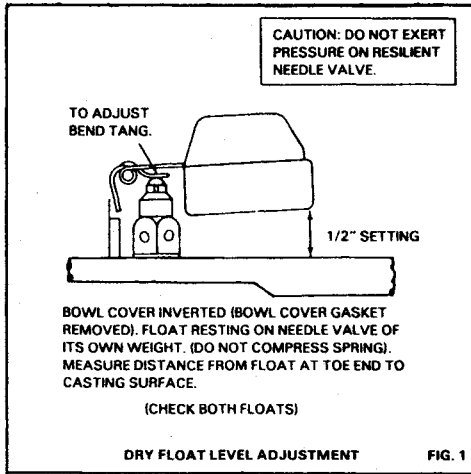
PUMP RETURN SPRING (32) - INSTALL WITH SMALL DIAMETER AGAINST CARBURETOR BOWL.

BOWL COVER SCREWS (23) - TIGHTEN EVENLY IN STAGES TO 30 INCH LBS.

CHOKE COVER (36) - INSTALL BUSHING (38) IN LOOP END OF COIL SPRING BEFORE INSTALLING ON PIN OF LEVER

TAMPER RESISTANT CHOKE COVER INSTALLATION - INSTALL CHOKE COMPONENTS MAKING SURE TAB ON RETAINER FITS IN NOTCH OF CHOKE COVER (NON ADJUSTABLE) BEFORE INSTALLING POP RIVETS AND BREAK AWAY SCREW.

# ADJUSTMENTS



**MODEL 5220 V.O.S. ADJUSTMENT DATA TABLE**

APPLICATION	FLOAT LEVEL	FLOAT DROP	PUMP PIN POSITION	CHOKE PULLDOWN
<b>1985-86 CHRYSLER PRODUCTS</b>				
1.6L ENG. CAN.	A/T 1/2"	1 7/8"	NO. 2	.055"
2.2L ENG. FED/CAN.	A/T 1/2"	1 7/8"	NO. 3	.095"
	M/T 1/2"	1 7/8"	NO. 3	.095"

**MODEL 6520 V.O.S. ADJUSTMENT DATA TABLE**

APPLICATION	FLOAT LEVEL	FLOAT DROP	PUMP PIN POSITION	CHOKE PULLDOWN
<b>1985-86 CHRYSLER PRODUCTS</b>				
1.6L ENG. FED/CALIF.	A/T 1/2"	1 7/8"	NO. 2	.070"
2.2L ENG. FED/CALIF.	A/T 1/2"	1 7/8"	NO. 3	.075"
	M/T 1/2"	1 7/8"	NO. 3	.075"